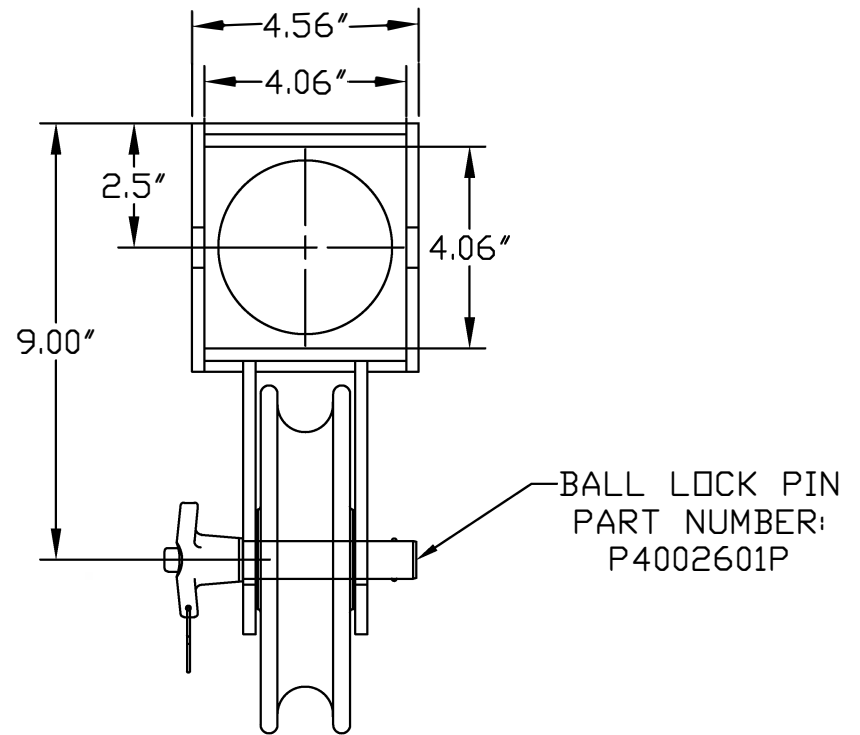
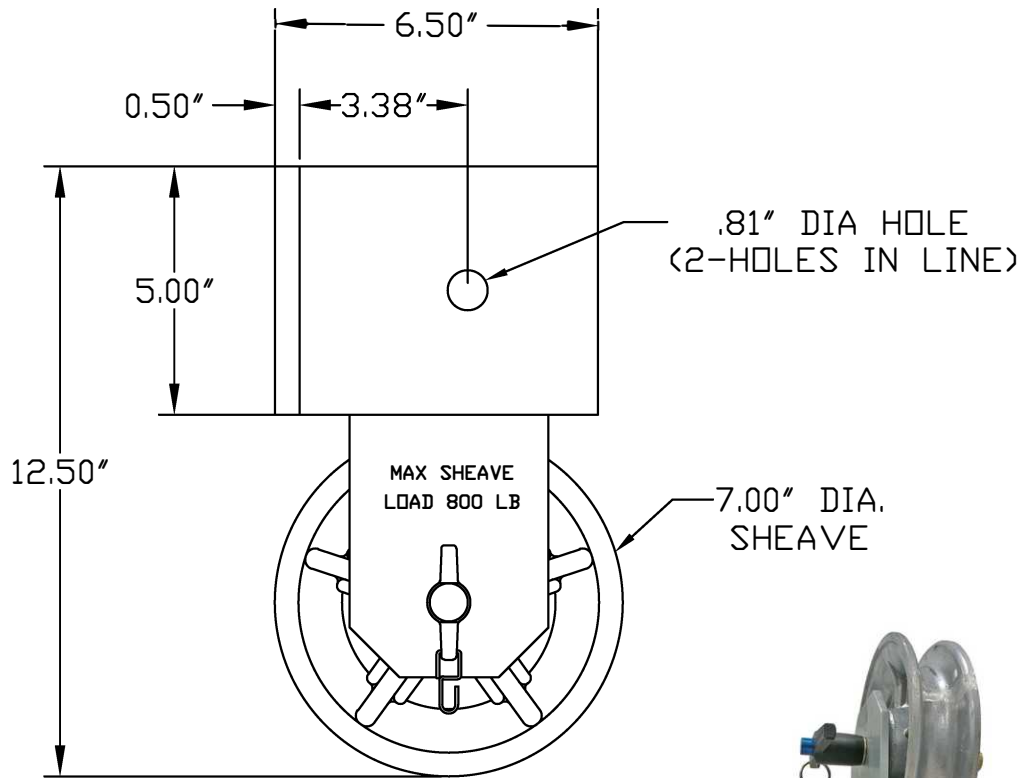



CATALOG NO.
PSC4004301



RATED WORKING LOAD:
SHEAVE - 800 lbs.

CHANCE		 HUBBELL POWER SYSTEMS	
<small>CONFIDENTIAL: THIS DRAWING AND ITS CONTENTS ARE CONFIDENTIAL AND THE EXCLUSIVE PROPERTY OF HUBBELL POWER SYSTEMS. NO PUBLICATION, DISTRIBUTION OR COPIES MAY BE MADE WITHOUT THE WRITTEN CONSENT OF HUBBELL POWER SYSTEMS. HUBBELL POWER SYSTEMS UNPUBLISHED ALL RIGHTS RESERVED UNDER THE COPYRIGHT LAWS.</small>		TITLE ADJUSTABLE SHEAVE ADAPTER, SQUARE	
SIZE	DWG NO.	CAT / PART / ASSY NO.	REV
B	SA4004301	PSC4004301	A
DO NOT SCALE THIS DRAWING	DRN BY AWA	DATE 10/26/20	SHEET 01 OF 01